

COUNTY OF SAN DIEGO TRACT TM
 PRELIMINARY GRADING PLAN
 NEWLAND SIERRA

SEE SHEET 8

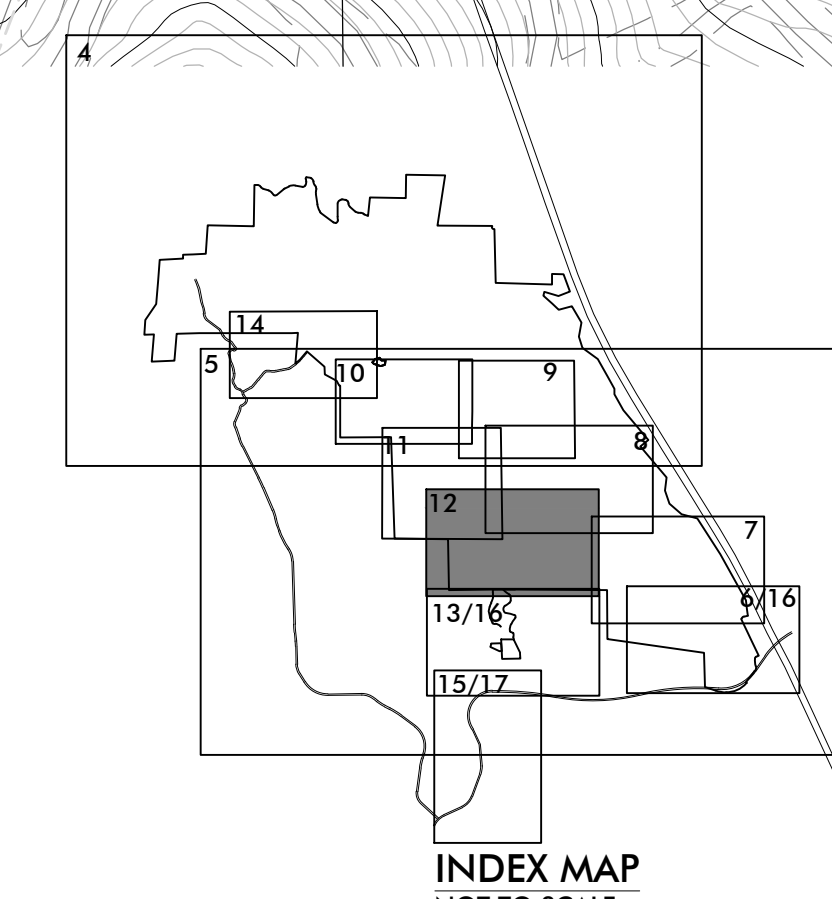
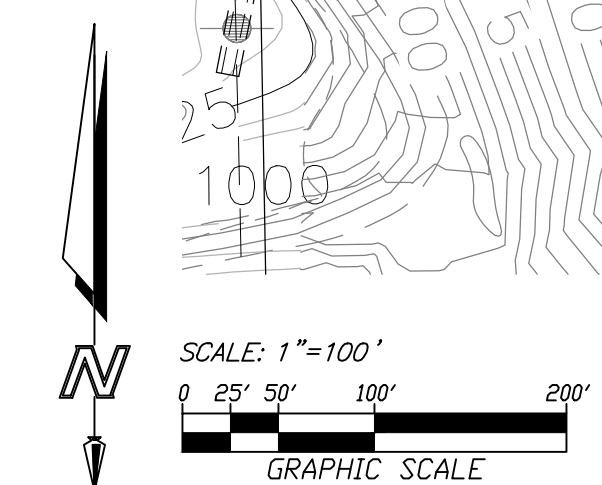
SEE SHEET 8



SEE SHEET 11

SEE SHEET 13

SEE SHEET 7



INDEX MAP
 NOT TO SCALE

ENGINEER OF WORK
 FUSCOE ENGINEERING
 6390 GREENWICH DRIVE, STE. 170
 SAN DIEGO, CA 92122
 (858)554-1500



ERIC K. ARMSTRONG RCE 36083 DATE

SHEET 12 OF 17

NO.	DATE	REVISION

6390 Greenwich Drive, Suite 170
 San Diego, California 92122
 Tel 858.554.1500 • Fax 858.297.0335
 www.fuscoe.com