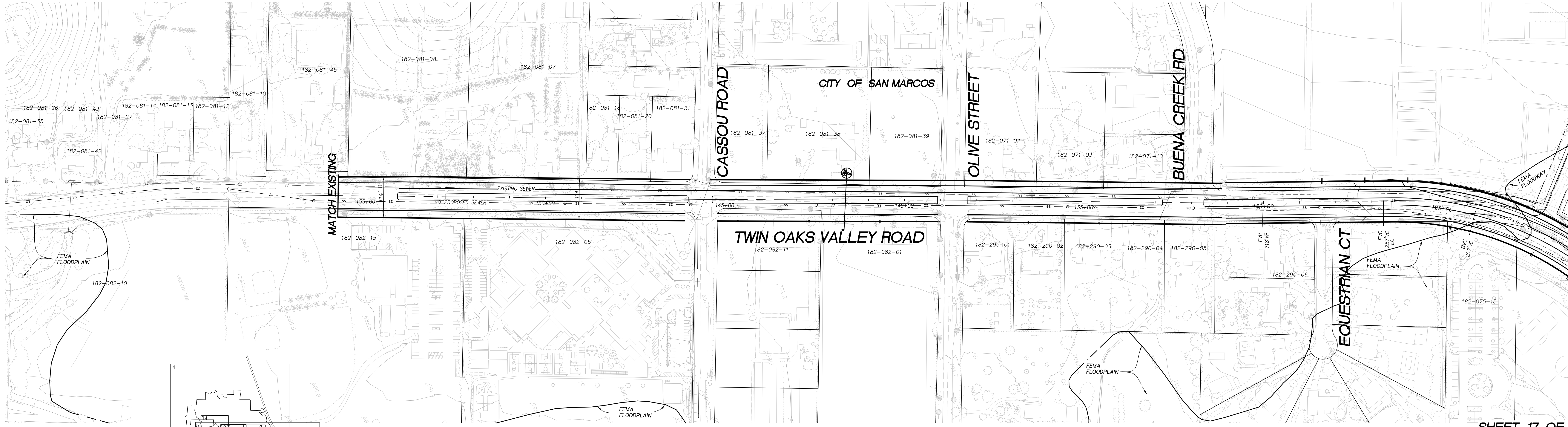
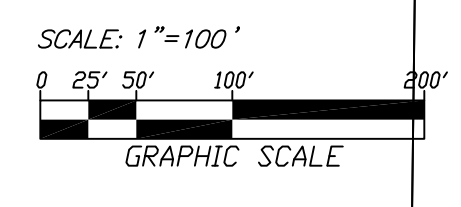
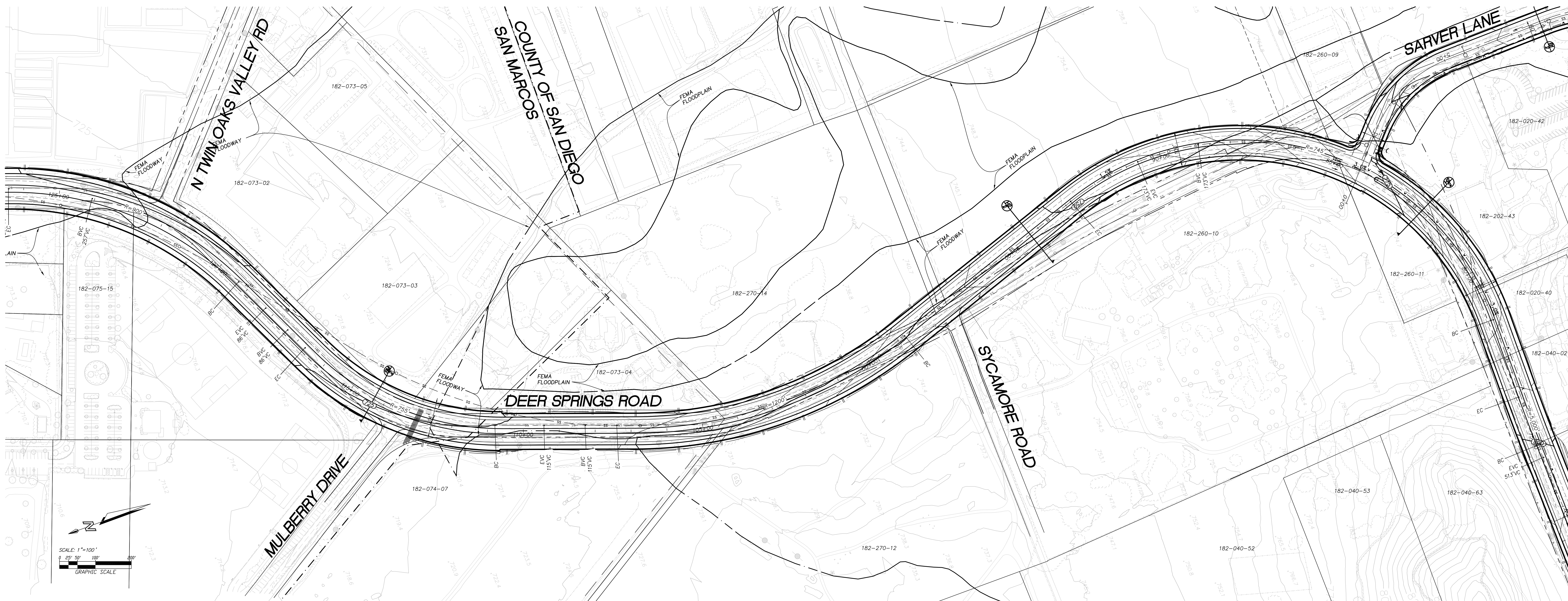


COUNTY OF SAN DIEGO TRACT TM
 PRELIMINARY GRADING PLAN
 NEWLAND SIERRA

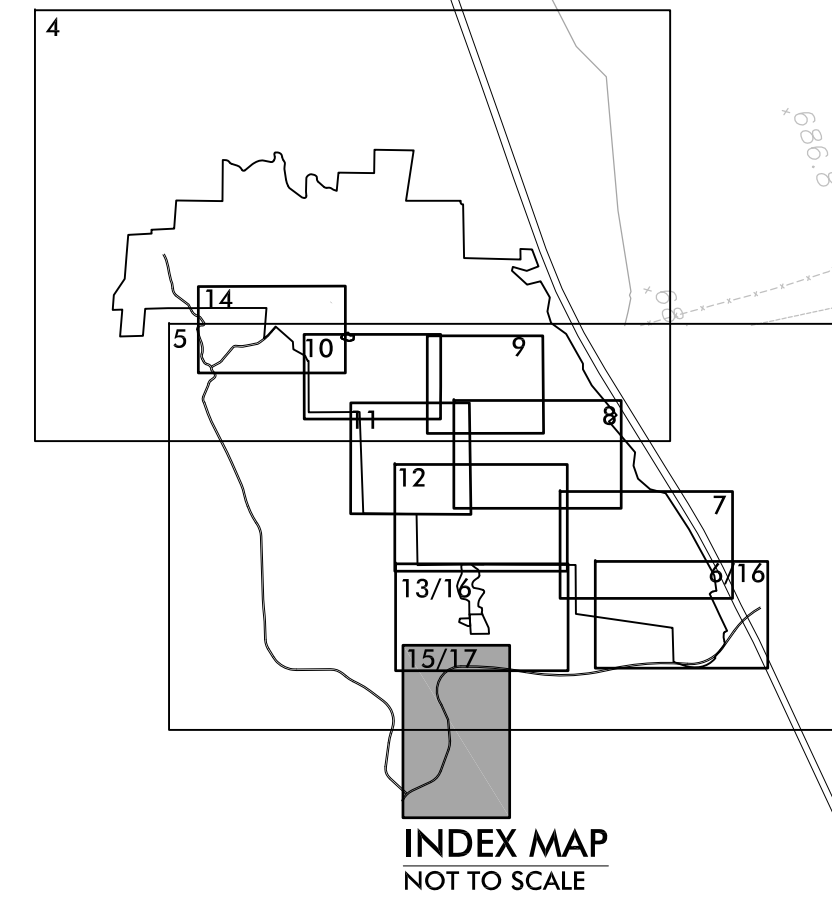
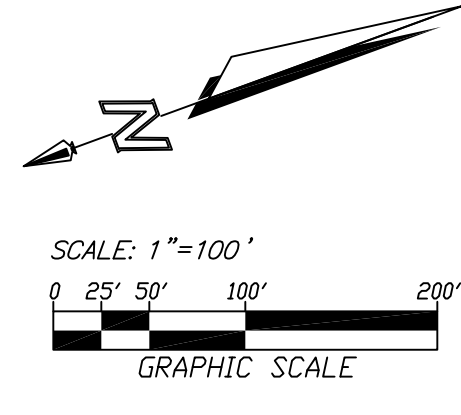
SEE BELOW: RIGHT

SEE SHEET 13

SEE SHEET 16



SEE ABOVE: LEFT



DEER SPRINGS ROAD ALTERNATE B
 SEE SHEET 15 FOR ALTERNATE A

SHEET 17 OF 17

ENGINEER OF WORK

FUSCOE ENGINEERING
 6390 GREENWICH DRIVE, STE. 170
 SAN DIEGO, CA 92122
 (619) 554-1500



ERIC K. ARMSTRONG RCE 36083 DATE



6390 Greenwich Drive, Suite 170
 San Diego, California 92122
 tel 858.554.1500 • fax 858.597.0335
 www.fuscoe.com