

COUNTY OF SAN DIEGO TRACT TM
 PRELIMINARY GRADING PLAN
 NEWLAND SIERRA

SEE SHEET 8

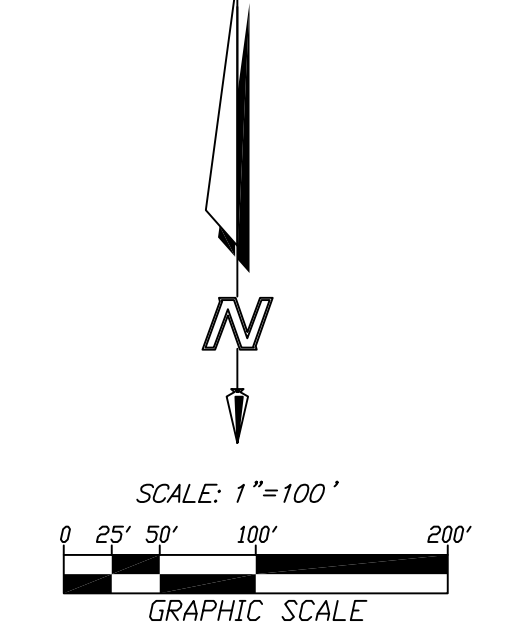
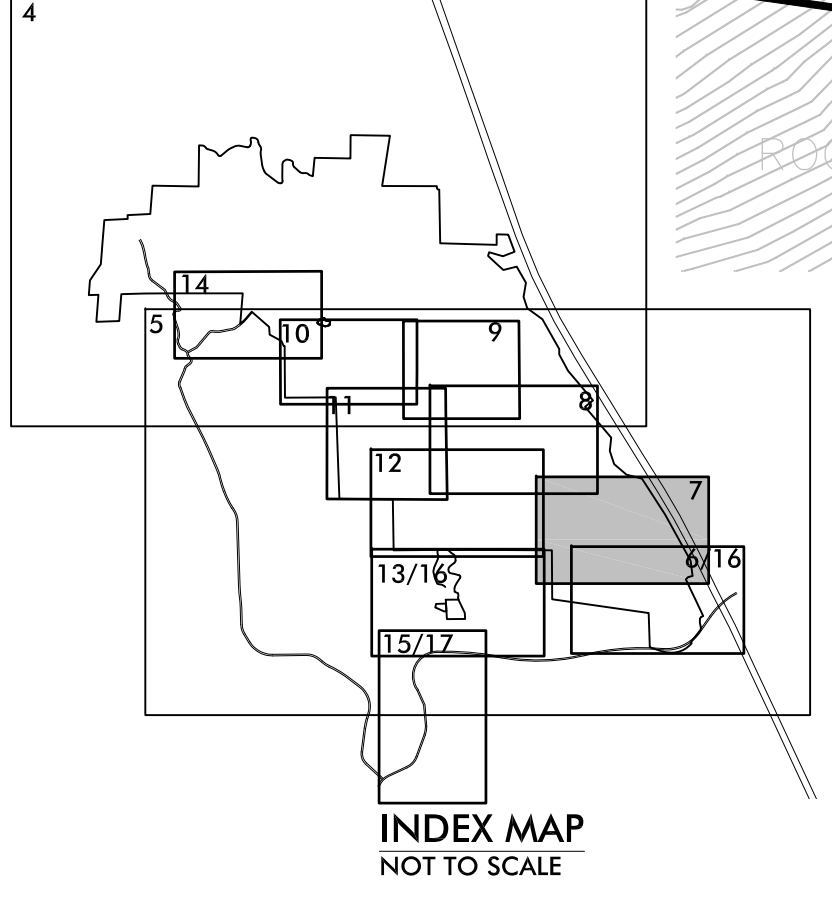


SEE SHEET 11

SEE SHEET 13

SEE SHEET 6

SHEET 7 OF 17



ENGINEER OF WORK
 FUSCOE ENGINEERING
 6390 GREENWICH DRIVE, STE. 170
 SAN DIEGO, CA 92122
 (619) 554-1500



FUSCOE ENGINEERING
 6390 Greenwich Drive, Suite 170
 San Diego, California 92122
 Tel 619-554-1500 • fax 619-597-0335
 www.fuscoe.com

| NO. | DATE | REVISION |
|-----|------|----------|
| | | |
| | | |